



Please help to find info about enries marked as *No info*

EMXWRAP

32-bit implementation fo Vio/Mou/Mon/Kbd functions compatible with EMXWRAP. In osFree EMXWRAP is virtual DLL. Real functions implementation in [SUB32.DLL](#). For IBM 32-bit interface see [OS2CHAR2.DLL](#). JdeBP's 32-bit interface [CON3216.DLL](#)

If you place EXMWRAP from EMX package it will not loaded, because in osFree EMXWRAP is virtual.

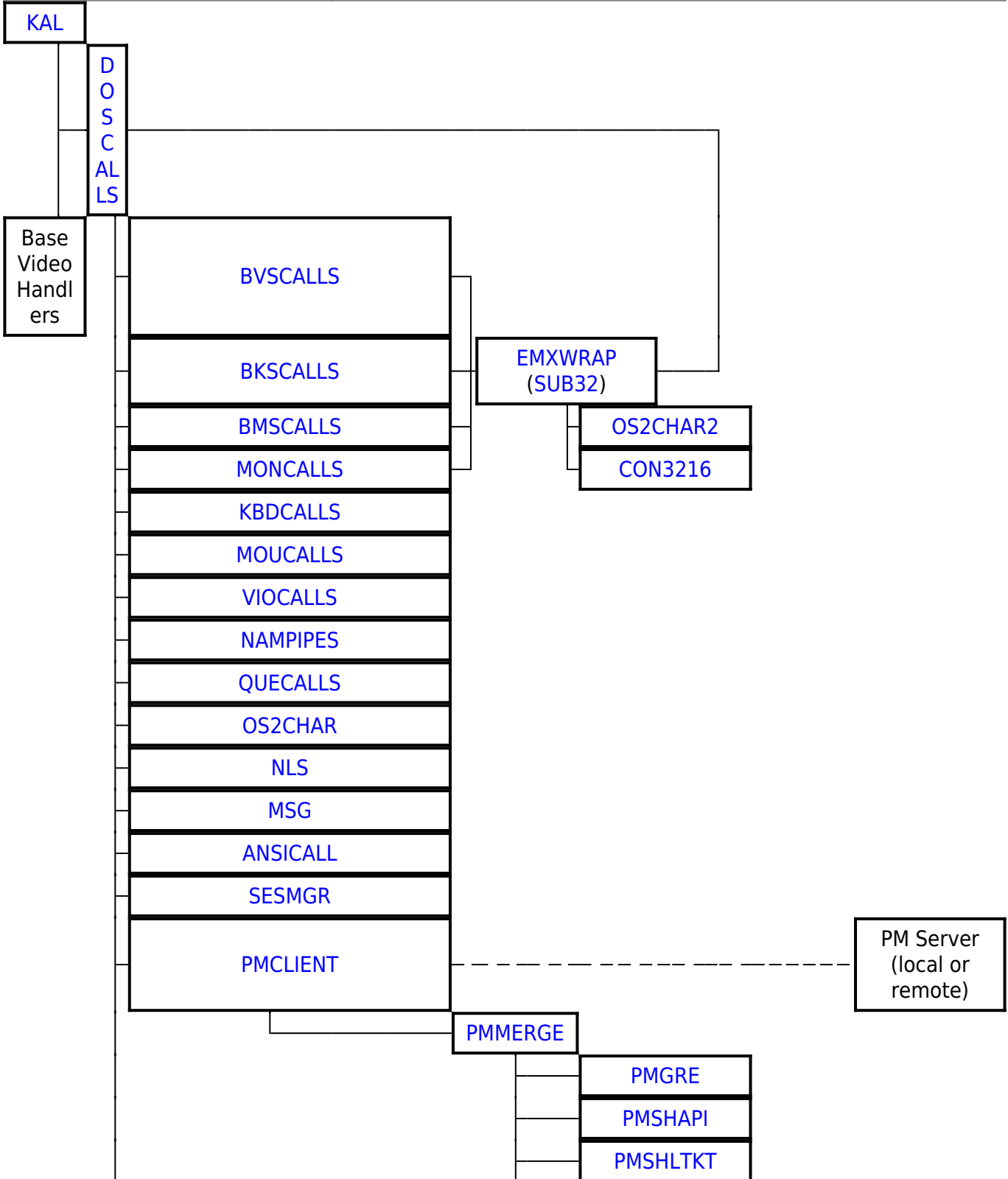
Ordinal	Name	Desc	Status
1	EMX_REVISION		
30	WinDefAVioWindowProc		
101	VioEndPopUp		
102	VioGetPhysBuf		
103	VioGetAnsi		
105	VioSetAnsi		
106	VioDeRegister		
107	VioScrollUp		
108	VioPrtSc		
109	VioGetCurPos		
110	VioWrtCellStr		
111	VioPopUp		
112	VioScrollRt		
113	VioWrtCharStr		
115	VioSetCurPos		
118	VioScrUnLock		
119	VioWrtTTY		
121	VioGetMode		
122	VioSetMode		
123	VioScrLock		
124	VioReadCellStr		
125	VioSavRedrawWait		
126	VioWrtNAttr		
127	VioGetCurType		
128	VioSavRedrawUndo		
129	VioGetFont		
130	VioReadCharStr		
131	VioGetBuf		
132	VioSetCurType		
133	VioSetFont		
135	VioModeUndo		
137	VioModeWait		

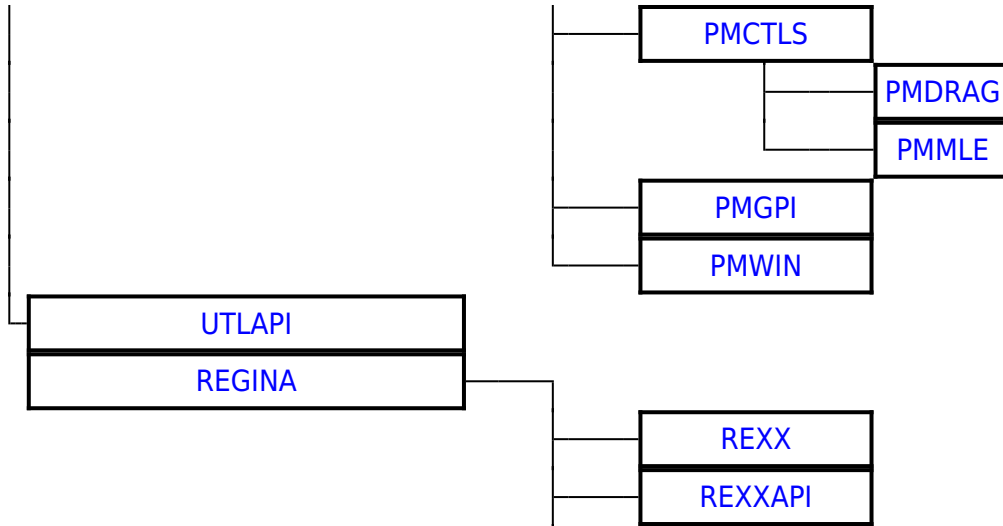
Ordinal	Name	Desc	Status
140	VioGetCp		
142	VioSetCp		
143	VioShowBuf		
144	VioScrollLf		
145	VioRegister		
146	VioGetConfig		
147	VioScrollDn		
148	VioWrtCharStrAtt		
149	VioGetState		
150	VioPrtScToggle		
151	VioSetState		
152	VioWrtNCell		
153	VioWrtNChar		
155	VioAssociate		
156	VioCreatePS		
157	VioDeleteSetId		
158	VioGetDeviceCellSize		
159	VioGetOrg		
160	VioCreateLogFont		
161	VioDestroyPS		
162	VioQuerySetIds		
163	VioSetOrg		
164	VioQueryFonts		
165	VioSetDeviceCellSize		
166	VioShowPS		
170	VioGlobalReg		
175	VioCheckCharType		
201	KbdSetCustXt		
203	KbdGetCp		
204	KbdCharIn		
205	KbdSetCp		
207	KbdSynch		
208	KbdRegister		
209	KbdStringIn		
210	KbdGetStatus		
211	KbdSetStatus		
212	KbdGetFocus		
213	KbdFlushBuffer		
214	KbdXlate		
217	KbdClose		
218	KbdFreeFocus		
220	KbdDeRegister		
221	KbdSetFgnd		
222	KbdPeek		
223	KbdOpen		

Ordinal	Name	Desc	Status
224	KbdGetHWID		
225	KbdSetHWID		
301	MouGetPtrShape		
302	MouSetPtrShape		
303	MouGetNumMickeyes		
306	MouGetScaleFact		
307	MouFlushQue		
308	MouGetNumButtons		
309	MouClose		
311	MouSetScaleFact		
313	MouGetNumQueEl		
314	MouDeRegister		
315	MouGetEventMask		
316	MouSetEventMask		
317	MouOpen		
318	MouRemovePtr		
319	MouGetPtrPos		
320	MouReadEventQue		
321	MouSetPtrPos		
322	MouGetDevStatus		
323	MouSynch		
324	MouRegister		
325	MouSetDevStatus		
326	MouDrawPtr		
327	MouInitReal		
329	MouSetThreshold		
330	MouGetThreshold		
401	DosMonWrite		
402	DosMonRead		
403	DosMonClose		
404	DosMonOpen		
405	DosMonReg		

OS/2 DLLs	
Base API	DOSCALLS EMXWRAP SUB32 ANSICALL NLS MSG MONCALLS KBDSCALLS MOUCALLS VIOCALLS SESMGR BKSCALLS BMSCALLS BVSCALLS NAMPIPES QUECALLS OS2CHAR
Bidirectional NLS	BDCALLS BDCALLS32 BDIME BDBVH BDVIEW BDWPCLS BIDIPM PMBIDI
Unicode API	UCONV UNIKBD LIBUNI
BVH (Base Video Handlers)	BVHINIT BVHMPA BVHVGA BVHSVGA BVHWNDW
GRADD subsystem	VMAN SOFTDRAW GRE2VMAN GENGRADD
IPF (Information Presentation facility)	HELPMGR HPMGRMRI MINXOBJ IBMHMGR NEWVIEW MINXMRI ERRTXT
REXX	REXX REXXAPI REXXUTIL REGINA
The core PM DLL's	PMMERGE PMMRGRES PMSHAPI PMSHLTKT PMGRE PMGPI PMDRAG PMCTLS PMMLE PMSPL PMVIOP PMWIN

OS/2 DLLs	
Open32	PMWINX MIRRORS REGISTRY
Intelligent Font Interface drivers	PMATM TRUETYPE PMUNIF FREETYPE PMPRE
Data Exchange	PMCLIP PMDDE PMDDEML
VDM PM interface	PMVDMH PMVDMP SEAMLESS SHIELD
WPS	PMWP PMWPMRU PMVDDROP
Miscellaneous	PMPIC PMTKT MVDM
SOM API	SOM SOMC





2016/07/25 02:16 · prokushev · 0 Comments

From: <http://www.osfree.org/doku/> - **osFree wiki**

Permanent link: <http://www.osfree.org/doku/doku.php?id=en:docs:os2:modules:emxwrap>

Last update: **2021/09/13 05:53**

