



Please help to find info about enries marked as *No info*

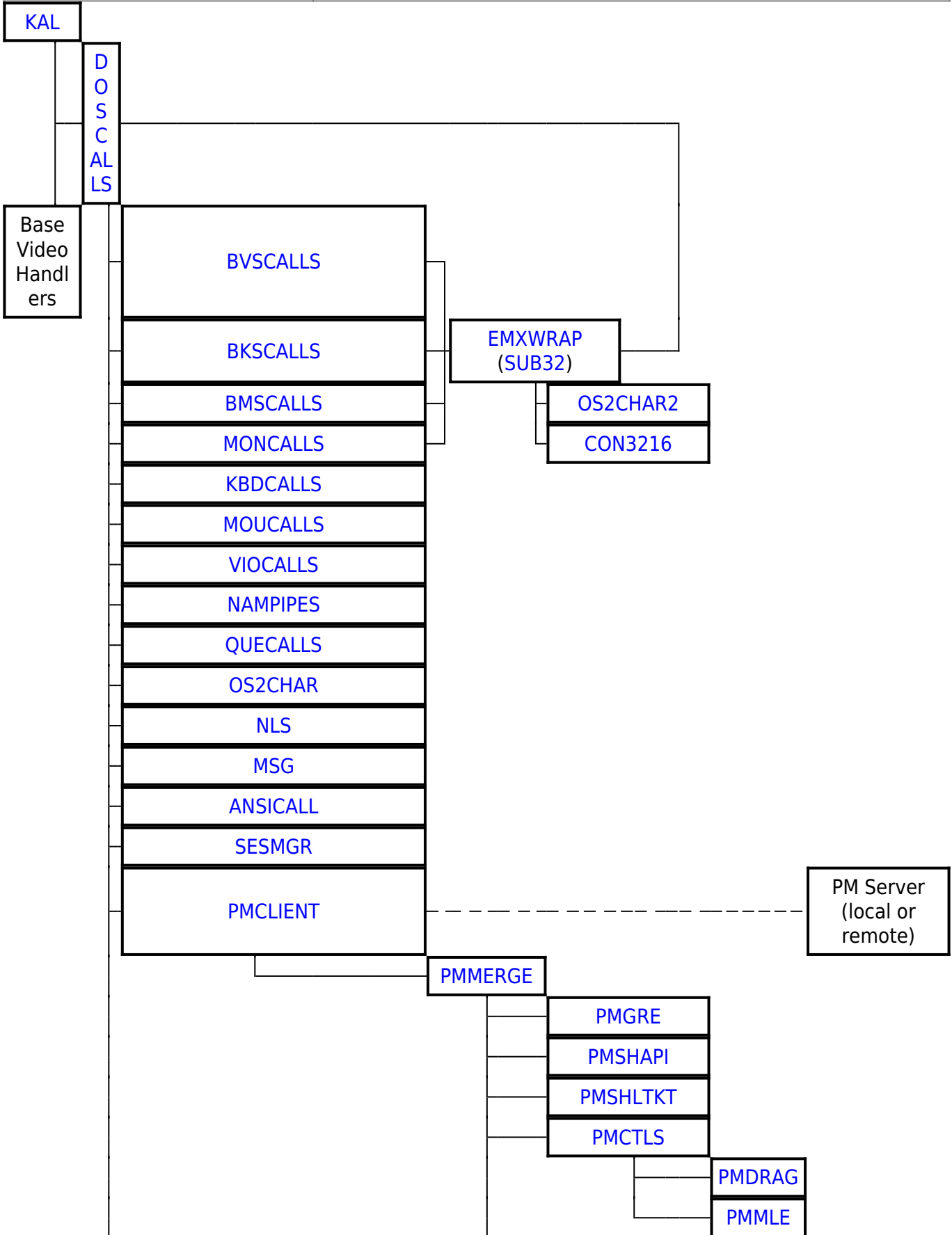
BDBVH

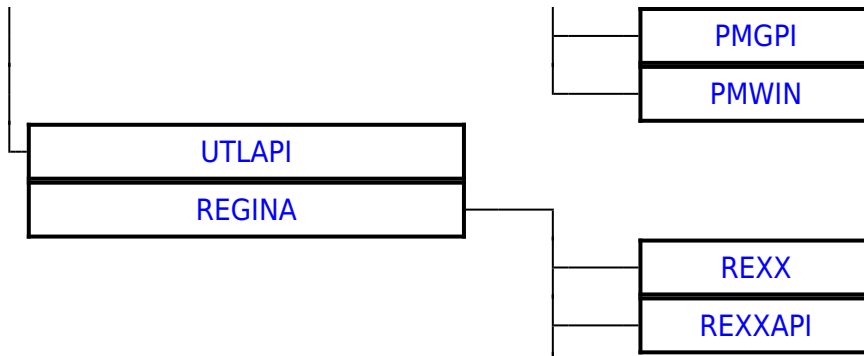
Ordinal	Name	Desc	Status
2	BDBVHSETORIENTATION		
3	BDBVHQUERYORIENTATION		
4	BDBVHSETCSD		
5	BDBVHQUERYCSD		
6	BDBVHSETHOTKEYFLAG		
7	BDBVHQUERYHOTKEYFLAG		
8	BDBVHSETFIELDREV		
9	BDBVHQUERYFIELDREV		
10	BDBVHSETNL		
11	BDBVHQUERYNL		
12	BDBVHSETPUSHLEVEL		
13	BDBVHQUERYPUSHLEVEL		
14	BDBVHSETAUTOPUSHLTR		
15	BDBVHQUERYAUTOPUSHLTR		
16	BDBVHSETAUTOPUSHRTL		
17	BDBVHQUERYAUTOPUSHRTL		
18	BDBVHSETAUTOSHAPECTR		
19	BDBVHGETCURPOS		
20	ENDPOPUPHANDLING		
21	NLSQUERYBIDISEGADDRESS		
22	NLSRECORDBDDSEG		
23	DEVENABLE		
24	_PrivateMouFunc		

OS/2 DLLs

Base API	DOSCALLS EMXWRAP SUB32 ANSICALL NLS MSG MONCALLS KBCALLS MOUCALLS VIOCALLS SESMGR BKSCALLS BMSCALLS BVSCALLS NAMPIPES QUECALLS OS2CHAR
Bidirectional NLS	BDCALLS BDCALLS32 BDIME BDBVH BDVIEW BDWPCLS BIDIPM PMBIDI
Unicode API	UCONV UNIKBD LIBUNI
BVH (Base Video Handlers)	BVHINIT BVHMPA BVHVGA BVHSVGA BVHWNDW
GRADD subsystem	VMAN SOFTDRAW GRE2VMAN GENGRADD
IPF (Information Presentation facility)	HELPMGR HPMGRMRI MINXOBJ IBMHMGR NEWVIEW MINXMRI ERRTXT
REXX	REXX REXXAPI REXXUTIL REGINA
The core PM DLL's	PMMERGE PMMRGRES PMSHAPI PMSHLTKT PMGRE PMGPI PMDRAG PMCTLS PMMLE PMSPL PMVIOP PMWIN
Open32	PMWINX MIRRORS REGISTRY
Intelligent Font Interface drivers	PMATM TRUETYPE PMUNIF FREETYPE PMPRE
Data Exchange	PMCLIP PMDDE PMDDEML

OS/2 DLLs	
VDM PM interface	PMVDMH PMVDMP SEAMLESS SHIELD
WPS	PMWP PMWPMRU PMVDDROP
Miscellaneous	PMPIC PMTKT MVDM
SOM API	SOM SOMC





2016/07/25 02:16 · prokushev · [0 Comments](#)

From:
<https://osfree.org/doku/> - **osFree wiki**

Permanent link:
<https://osfree.org/doku/doku.php?id=en:docs:os2:modules:bdbvh>

Last update: **2016/07/27 04:47**

